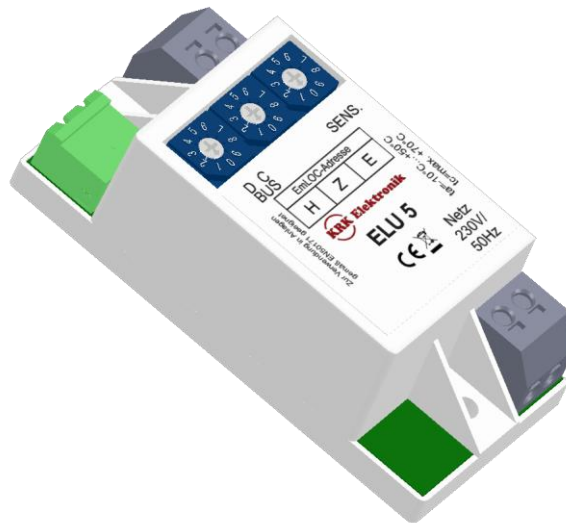


**Product data sheet**

**Single luminaire monitoring ELU**

Luminaire monitoring ELU is used in emergency power systems with pure AC power supply. The module has a current flow sensor, with the help of which it determines the functionality of the light or illuminant. Consumers of 4 VA to 200 VA can be connected. Larger ratings are possible on demand. The load current is constantly checked. Thanks to the EmLOC bus system, the status (ON/OFF) can be checked anytime. The module requires 230 V AC voltage and has a separate bus connection. Due to its small design, it can be used in all common housing types. The address setting covers a range from 1 to 999 addresses, which is implemented using 3 address switches. Here, the setting is made in decimal (**H**undred, **T**en and **O**ne) so that it is not necessary to convert into another number system.



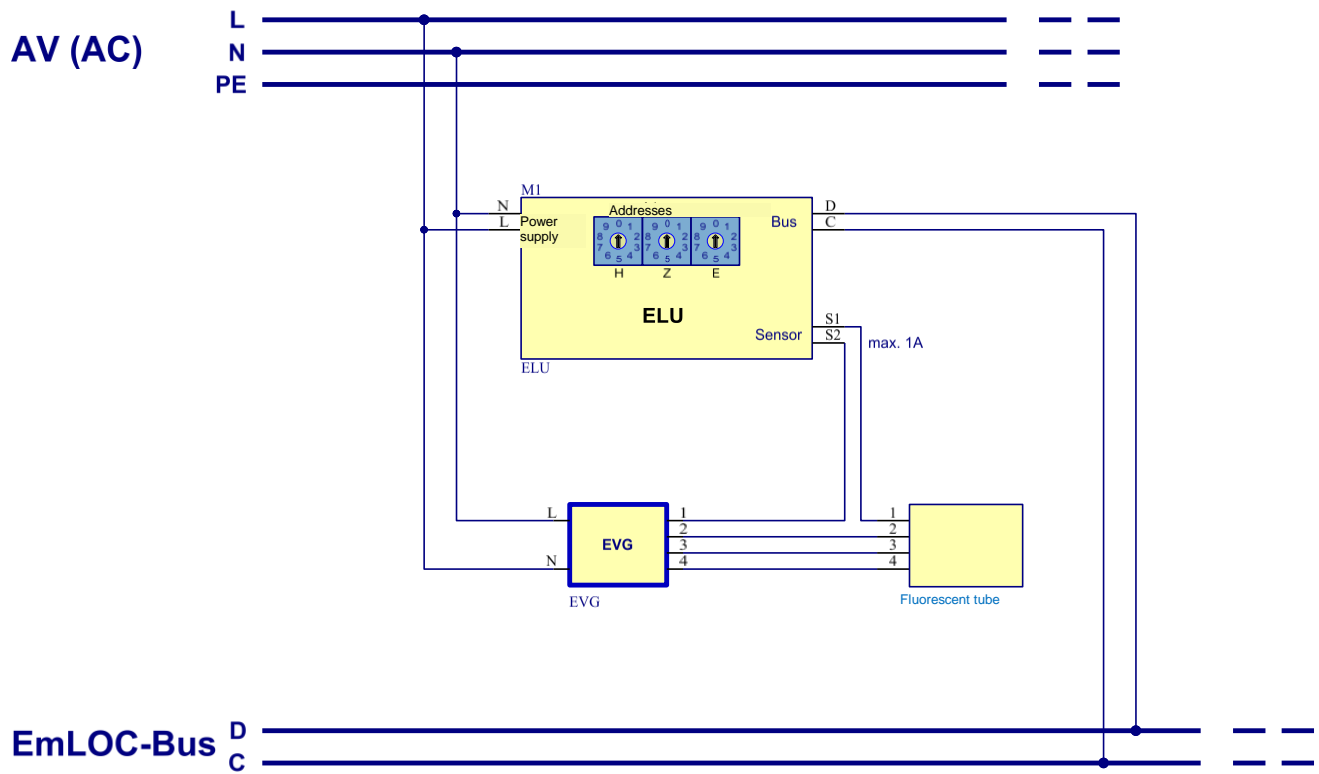
**Technical data:**

Input voltage / frequency	230 V / 50 Hz
Ambient temperature	-10 to +50 °C (tc max = 70°C)
Power consumption	0.5 W
Weight	approximately 65 grams
Dimensions LxBxH (in mm)	80 x 37 x 27

**Order numbers:**

Name	Description	Order number
ELU	Single luminaire monitoring for EmLOC bus	109-3004-5000

**Circuit diagram:**



**Dimensions:**

